

# Smooth, Reliable Operation

## MT Motorized Trolley



**1/4 - 5 Ton**  
Made in USA

**COFFING MT Model Trolley** - Features rugged construction with wrap-around side plates and heat treated wheels for reliable service. Universal clevis allows quick mounting of most hook mounted electric chain hoists.

- **CAPACITIES** - Rated loads from 1/4 to 5 Tons. Push button drop is 6-feet.
- **VOLTAGES** - 115/230, 208 - single phase; 230/460, 208, 220/380, 575 - three phase. 60 hertz standard, 50 hertz available.
- **SPEEDS** - 35 and 75 FPM speeds standard with optional speeds of 18, 24, 50, 100, and 150 FPM.
- **TWO-SPEED MODELS** - Optional with 3 to 1 speed ratio, three-phase, single voltage only. Slow speed feature for gentler start and greater positioning accuracy.
- **MOUNTING** - Universal clevis will accept top hook models. Can change EC and ELC suspensions to lug mount directly to MT trolley — consult factory.
- **TROLLEY DESIGN** - 4-wheel design on 1/4 - 3 Ton and under. 8-wheel design on 4 and 5-Ton for reduced beam flange stresses. Specify track type and beam size.
- **NEMA 3R PUSH BUTTON** - Ergonomic design fits operator's hand for thumb or two-handed operation. 24 Volt Control standard for operator safety. 115 Volt Control available upon request.
- **ACCESSORIES** - Trolley brake and other options available to meet a variety of applications.
- **LIFETIME WARRANTY**

### SPECIFICATIONS

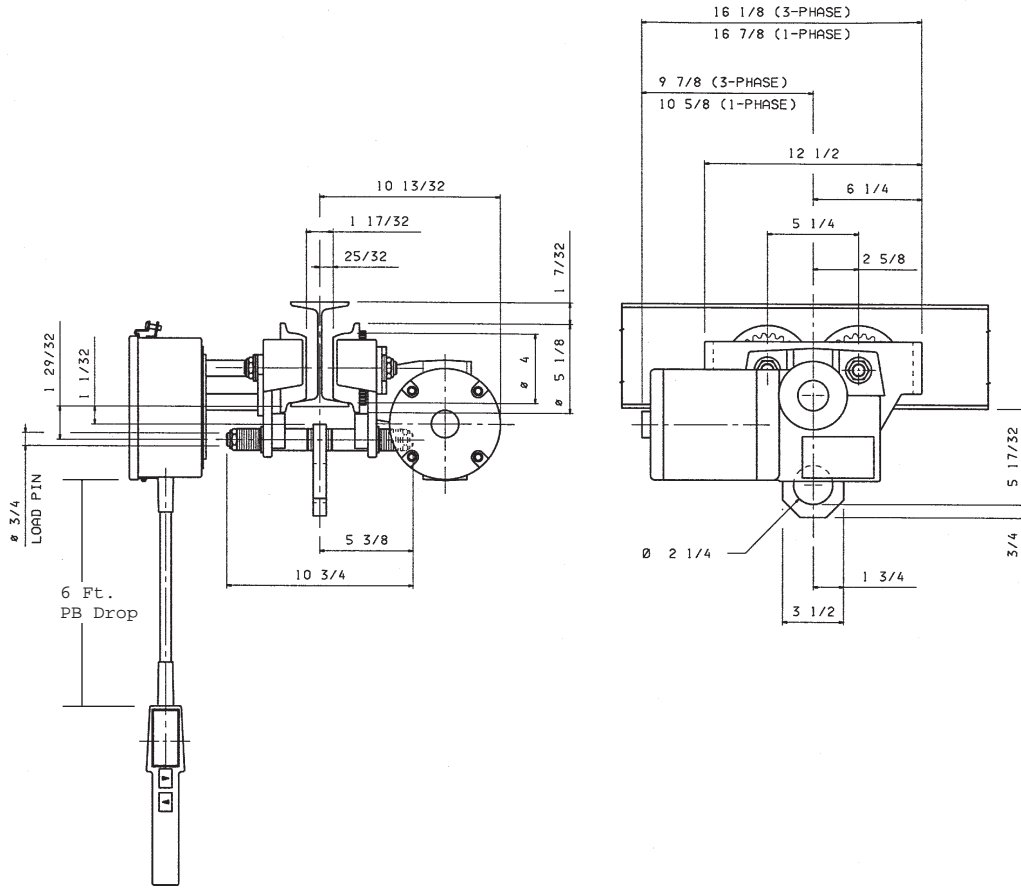
### MT Electric Trolleys

| Capacity |       | Model Number     | Motor HP | Flange Width (In.) | Beam Ht. (In.) | Min. Rad. Curve (In.) | Net Wt. (Lb.) |
|----------|-------|------------------|----------|--------------------|----------------|-----------------------|---------------|
| (Lb.)    | (Ton) |                  |          |                    |                |                       |               |
| 500      | 1/4   | <b>MT-05035</b>  | 1/4      | 3.332 - 6          | 6 - 18         | 48                    | 115           |
| 500      | 1/4   | <b>MT-05075</b>  | 1/4      | 3.332 - 6          | 6 - 18         | 48                    | 115           |
| 1000     | 1/2   | <b>MT-10035</b>  | 1/4      | 3.332 - 6          | 6 - 18         | 48                    | 115           |
| 1000     | 1/2   | <b>MT-10075</b>  | 1/4      | 3.332 - 6          | 6 - 18         | 48                    | 115           |
| 2000     | 1     | <b>MT-20035</b>  | 1/4      | 3.332 - 6          | 6 - 18         | 48                    | 115           |
| 2000     | 1     | <b>MT-20075</b>  | 1/4      | 3.332 - 6          | 6 - 18         | 48                    | 115           |
| 3000     | 1 1/2 | <b>MT-30035</b>  | 1/4      | 3.332 - 6          | 6 - 18         | 48                    | 115           |
| 3000     | 1 1/2 | <b>MT-30075</b>  | 1/4      | 3.332 - 6          | 6 - 18         | 48                    | 115           |
| 4000     | 2     | <b>MT-40035</b>  | 1/4      | 3.332 - 6          | 6 - 18         | 48                    | 115           |
| 4000     | 2     | <b>MT-40075</b>  | 1/2      | 3.332 - 6          | 6 - 18         | 48                    | 115           |
| 6000     | 3     | <b>MT-60035</b>  | 1/4      | 3.332 - 6          | 6 - 18         | 48                    | 115           |
| 6000     | 3     | <b>MT-60075</b>  | 1/2      | 3.332 - 6          | 6 - 18         | 48                    | 115           |
| 8000     | 4     | <b>MT-80035</b>  | (2) 1/4  | 4 - 6              | 8 - 18         | ***                   | 220           |
| 8000     | 4     | <b>MT-80075</b>  | (2) 1/2  | 4 - 6              | 8 - 18         | ***                   | 220           |
| 10000    | 5     | <b>MT-100035</b> | (2) 1/4  | 4 - 6              | 8 - 18         | ***                   | 220           |
| 10000    | 5     | <b>MT-100075</b> | (2) 1/2  | 4 - 6              | 8 - 18         | ***                   | 220           |

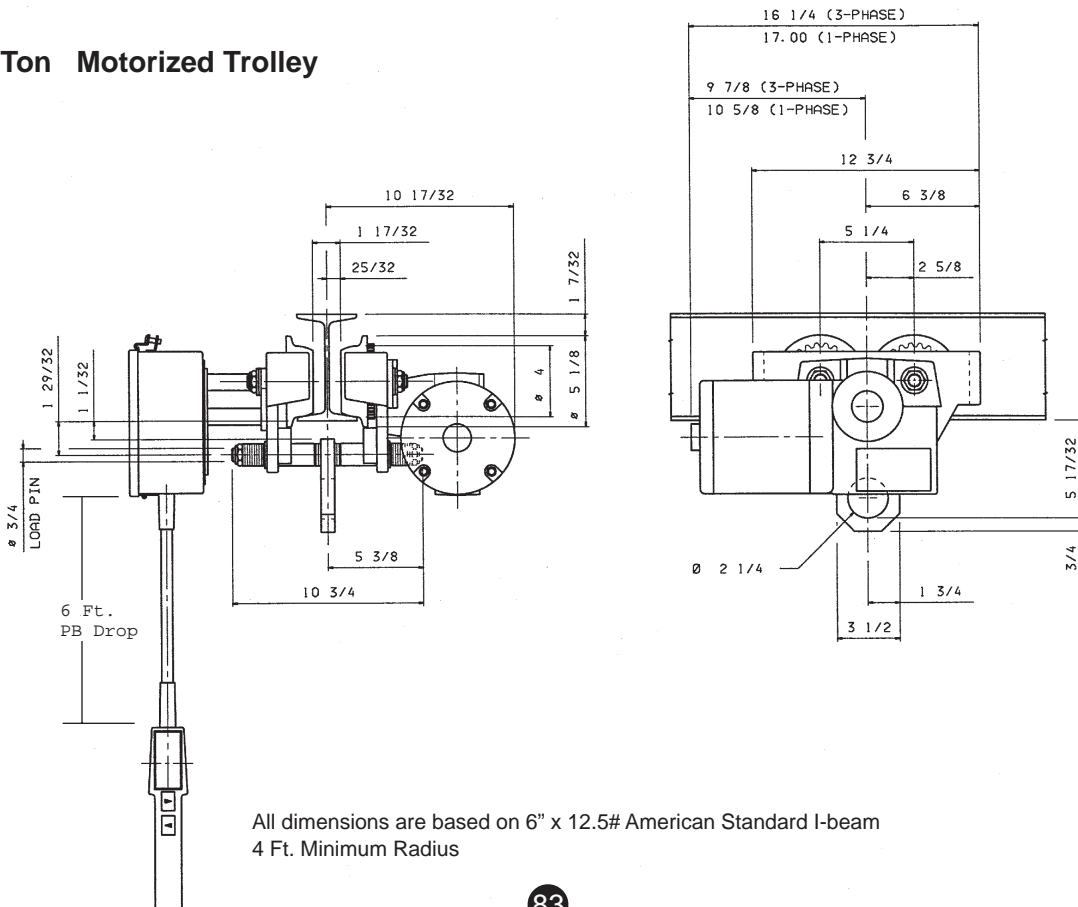
\*\*\* 4 & 5 Ton - straight track only. Articulated model for 48" min. radius curved track available — consult factory.

**NOTE:** For complete dimensional data, refer to Coffing Dimensional Databook.

**MT** 1/4 - 2 Ton Motorized Trolleys

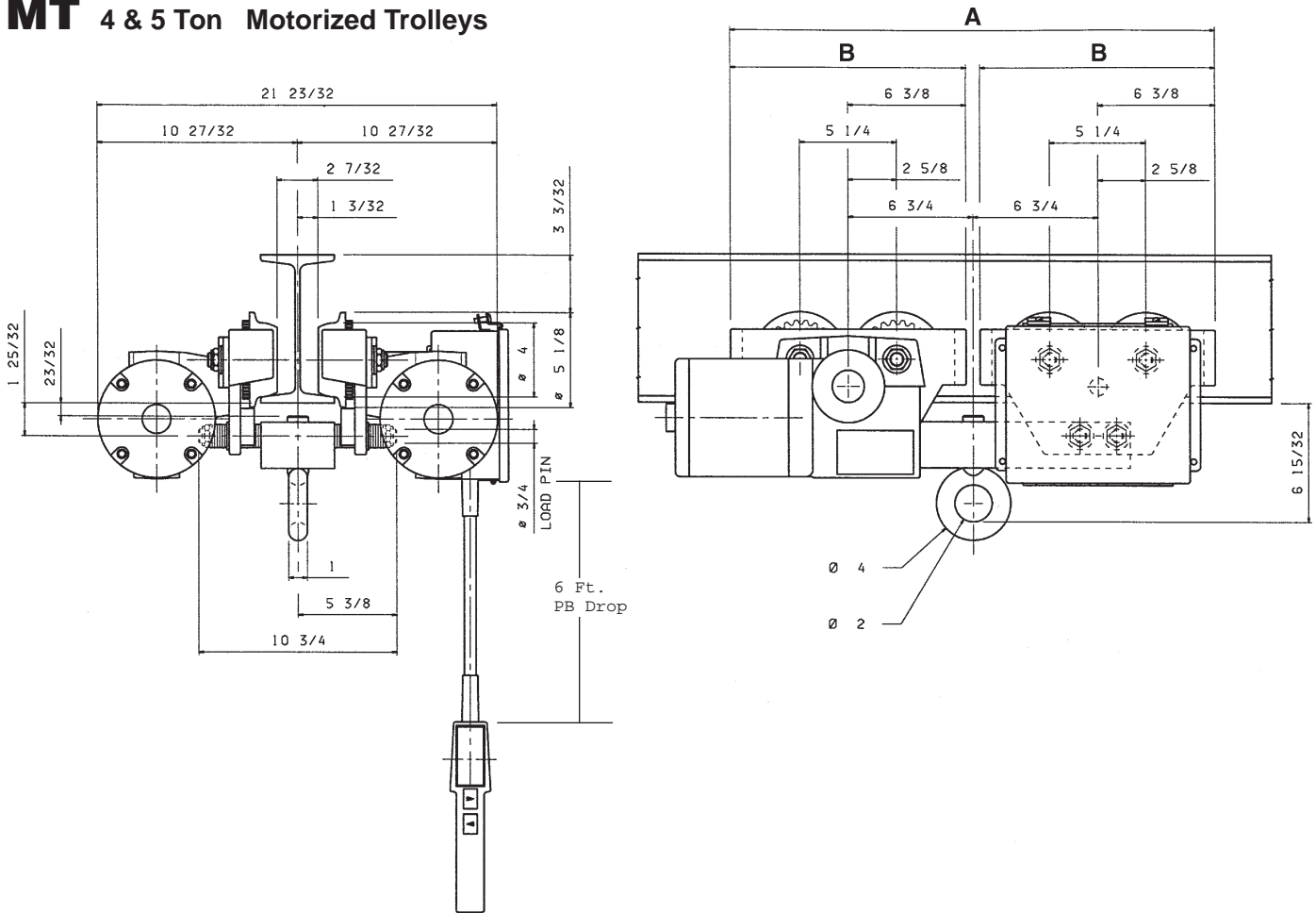


**MT** 3 Ton Motorized Trolley



All dimensions are based on 6" x 12.5# American Standard I-beam  
4 Ft. Minimum Radius

**MT 4 & 5 Ton Motorized Trolleys**



**Specifications and Dimensions**

| Rated Load (Lbs.) | Beam Height (In.) | Flange Width (In.) | Weight (Lbs.) | Model Number* | A                              | B                              |
|-------------------|-------------------|--------------------|---------------|---------------|--------------------------------|--------------------------------|
| 8000              | 8 - 18            | 4.00 - 6.00        | 220           | MT-80035      | 26                             | 12 <sup>1</sup> / <sub>2</sub> |
| 8000              | 8 - 18            | 4.00 - 6.00        | 220           | MT-80075      | 26                             | 12 <sup>1</sup> / <sub>2</sub> |
| 10000             | 8 - 18            | 4.00 - 6.00        | 225           | MT-100035     | 26 <sup>1</sup> / <sub>4</sub> | 12 <sup>3</sup> / <sub>4</sub> |
| 10000             | 8 - 18            | 4.00 - 6.00        | 225           | MT-100075     | 26 <sup>1</sup> / <sub>4</sub> | 12 <sup>3</sup> / <sub>4</sub> |

All dimensions are based on 8" @ 18.4# American Standard I-beam.

All dimensions are in inches unless otherwise indicated.

**"STRAIGHT TRACK ONLY"**

Articulating models for 4-Ft. minimum radius curved track available, consult factory.

**NOTE:** For wide flange and patented track applications, consult factory.