

LMTP & LMTG Trolleys

- ✚ Rated loads from 8-16 tons in plain and geared models. Geared trolleys have standard 7-foot hand chain drop.
- ✚ Designed for heavy-duty industrial applications.
- ✚ Hanging clevis accepts all Little Mule hook-mounted hoists. Steel equalizing pin can be used to suspend hoist for low headroom applications.
- ✚ Adjustable Ñ Fits a wide range of beam sizes.
- ✚ Wrap-around side plates act as trolley guards and bumpers for added security and wheel protection.
- ✚ Ball Tread Wheels Ñ Cast iron wheels (8-16 Ton models) fit any tapered or flat beam flange within range of adjustment. Each wheel has two lifetime lubricated, sealed tapered roller bearings for long life and low maintenance.
- ✚ Options Ñ Wide flange and patented track models available. Spark resistant units available in 4 to 8 Ton models.

SPECIFICATIONS LMTP & LMTG Plain and Geared Trolleys ✚ 8 - 16 Tons

Model Number *	Capacity		Beam Height (In.)	I-Beam Flange Width (In.)	Minimum Radius Curve (In.)	Net Weight	
	Lbs.	Tons				Plain (Lbs.)	Geared (Lbs.)
LMTP(G)-16000	16000	8	10-24	4.66-7.00	72	255	295
LMTP(G)-20000	20000	10	10-24	4.66-7.00	72	274	310
LMTP(G)-24000	24000	12	10-24	4.66-7.00	72	278	320
LMTP(G)-32000	32000	16	18-24	6.00-8.00	96	800	840

* When ordering, specify **P** for plain trolley or **G** for geared trolley.

NOTE: LMTP & LMTG trolleys up to 40 ton capacity available upon request - consult factory

8 - 16 Tons

BC Beam Clamps

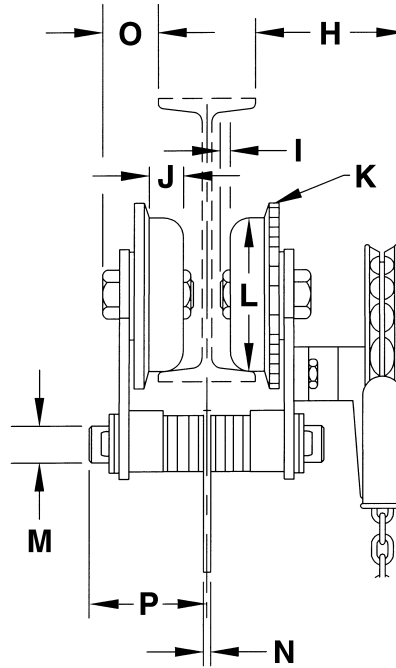
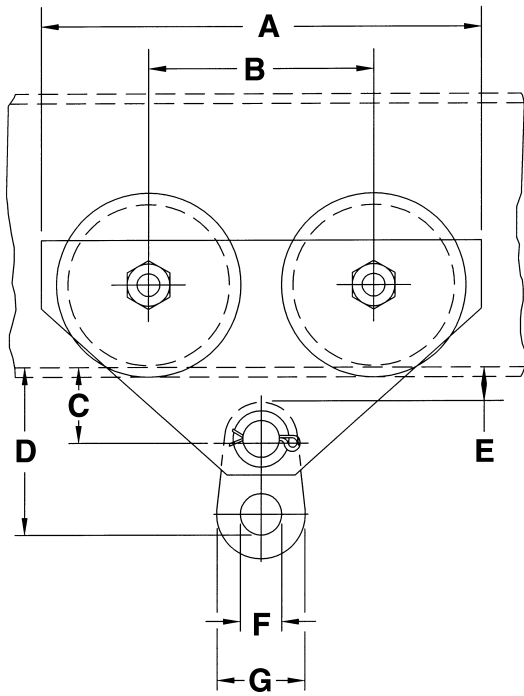
- ✚ Rated loads from 1 -10 Ton.
- ✚ Reduced flange stress Ñ Special clamp jaw design distributes load away from flange edge.
- ✚ Threaded mechanism fits securely on a wide range of flange widths and beam sizes.
- ✚ Low headroom provided by built-in suspension bar.

SPECIFICATIONS BC Beam Clamps ✚ 10 Ton

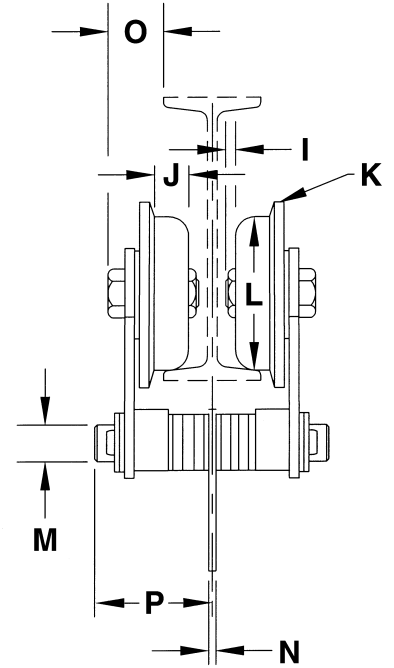
Model Number	Capacity		Flange Width (In.)	Weight (Lbs.)
	Lbs.	Tons		
BC-1	2000	1	3 - 9	9
BC-2	4000	2	3 - 9	13
BC-3	6000	3	3.2 - 12.6	18
BC-5	10000	5	3.6 - 12.2	22
BC-10	20000	10	3.6 - 12.6	32

1 - 10 Ton

LMTP(G) 8 - 16 Ton



GEARED



PLAIN

Dimensions

Model Number	Rated Load		A	B	C	D	E	F	G	H	I	J	K	L	M	N	O	P
	(lbs.)	(ton)																
LMTP(G)-16000	16000	8	23 ⁵ / ₈	10 ⁵ / ₈	3 ⁷ / ₈	10 ⁵ / ₈	1 ³ / ₈	3 ¹ / ₂	6 ¹ / ₂	9	1/8	1 ¹¹ / ₁₆	10	8 ¹ / ₄	2 ¹ / ₂	3/4	3 ¹ / ₄	6 ⁷ / ₈
LMTP(G)-20000	20000	10	23 ⁵ / ₈	10 ⁵ / ₈	3 ⁷ / ₈	11 ¹ / ₈	1 ³ / ₈	4 ¹ / ₂	8	9	1/8	1 ¹¹ / ₁₆	10	8 ¹ / ₄	2 ¹ / ₂	1	3 ¹ / ₄	6 ⁷ / ₈
LMTP(G)-24000	24000	12	23 ⁵ / ₈	10 ⁵ / ₈	3 ⁷ / ₈	11 ¹ / ₈	1 ³ / ₈	4 ¹ / ₂	8	9	1/8	1 ¹¹ / ₁₆	10	8 ¹ / ₄	2 ¹ / ₂	1	3 ¹ / ₄	6 ⁷ / ₈
LMTP(G)-32000	32000	16	28 ¹ / ₄	14	5 ⁷ / ₈	15 ¹ / ₄	2 ¹ / ₂	4	9	14 ¹ / ₂	5/16	2	13 ¹ / ₂	11 ³ / ₄	3 ¹ / ₄	1 ¹ / ₂	7	8

Notes: All dimensions are in inches.
Wheels with convex treads are standard on all capacities.

* Dimensions shown are for minimum beam size and will vary proportionately for larger beams.