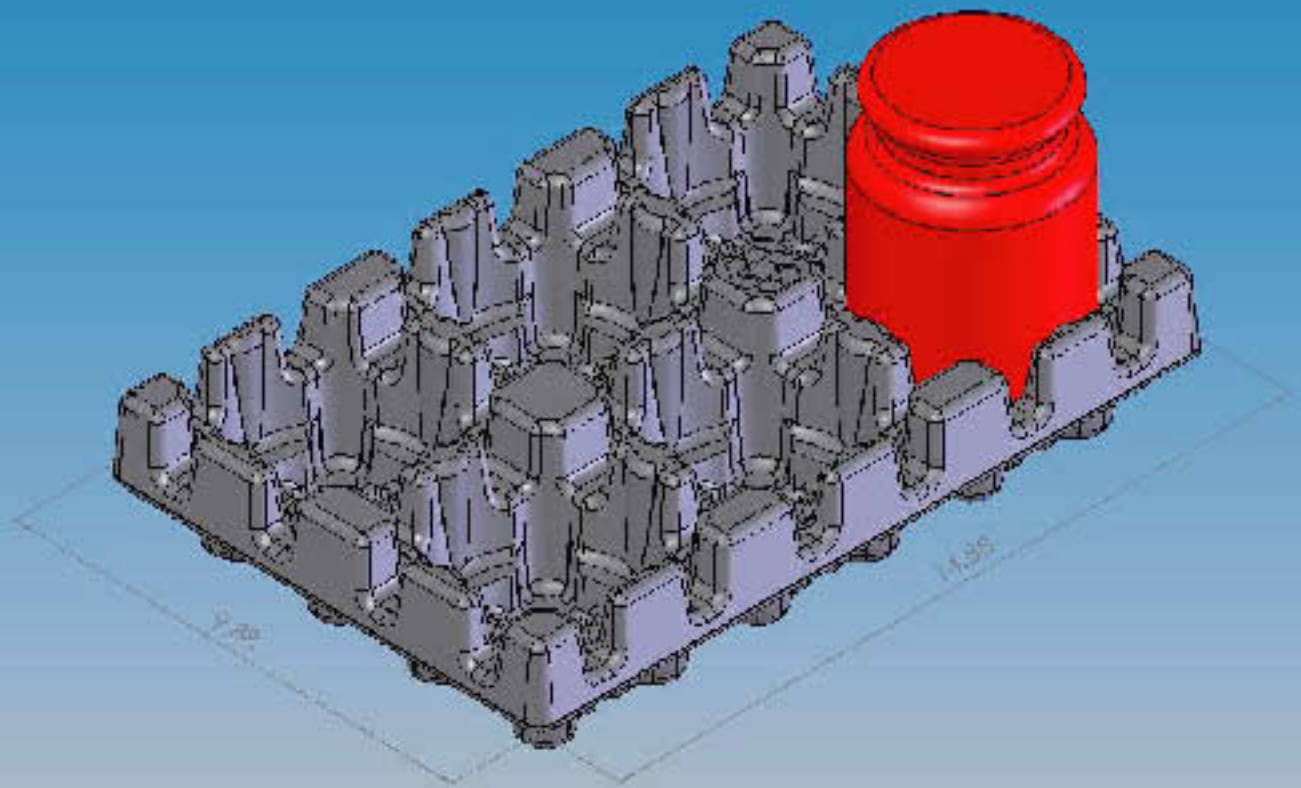




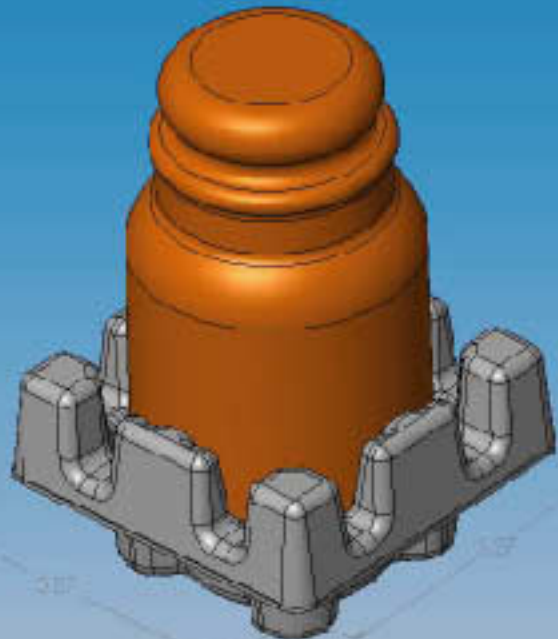
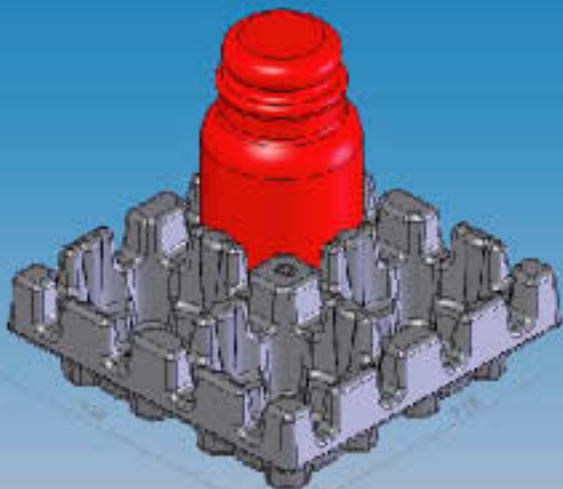
FP

TECHNOLOGIES

CANDLE PACK



CUSTOM DESIGNS AVAILABLE!





- Protects your product: Passes Standard Shipping Tests.
- Made from 100% Recycled Paper and is 100% Recyclable.
- Nestable product saves space.
- Saves cost:
 - molded product reduces set up time.
 - less expensive than foam-based solutions.

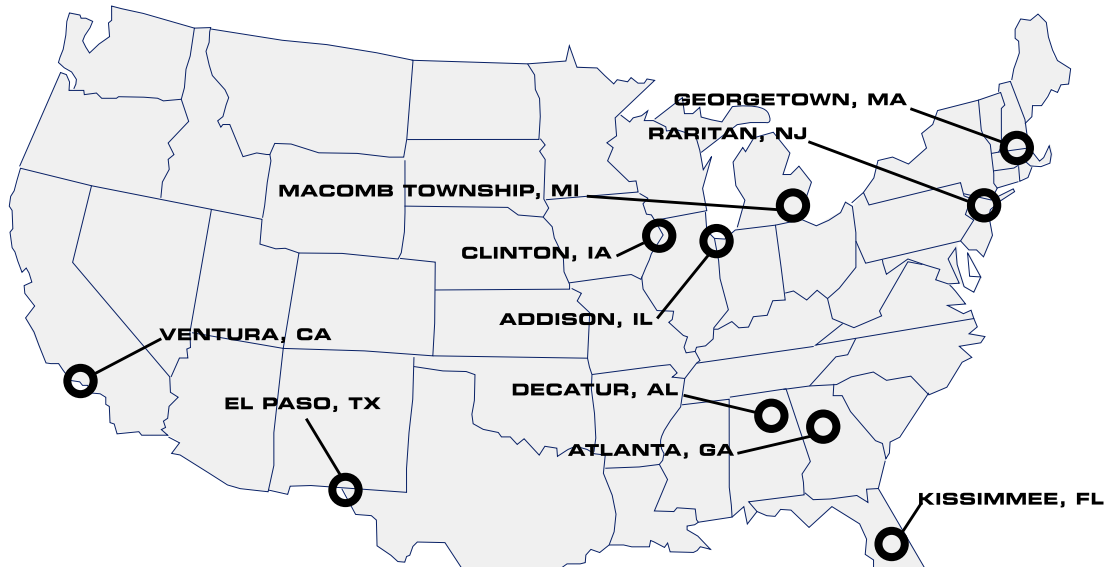
UFP's Candle Packs are available in 1,3,4 and 6-pack configurations.

One part fits both top and bottom of your jarred product!

Call: 888-638-3456

or email: info@ufpt.com

**to see how UFP's Candle Pack can
work for you!**



UFP Technologies, Inc. Corporate Sales Office

MASS. Plant - UFP Technologies

172 East Main Street
 Georgetown, MA 01833
 Tel: 978.352.2200
 Fax: 978.352.7169

New Jersey Plant - UFP Technologies

1 Johnson Drive
 Raritan, NJ 08869-1651
 Tel: 908.707.4444
 Fax: 908.707.0655

Texas Plant - UFP Technologies

1219 Kessler Street Building B
 El Paso, TX 79907
 Tel: 915.598.7377
 Fax: 915.598.7377

Florida Plant - UFP Technologies

2175 Partin Settlement Rd.
 Kissimmee, FL 34744-8697
 Tel: 407.933.4880
 Fax: 407.933.5029

Georgia Plant - UFP Technologies

6077 Fulton Industrial Blvd.
 Atlanta, GA 30336
 Tel: 404.349.9500
 Fax: 404.346.1061

Alabama Plant - UFP Technologies

1528 Church Street
 Decatur, AL 35602-1207
 Tel: 256.351.0800
 Fax: 256.351.9292

Michigan Plant - UFP Technologies

UFP - Simeco Automotive Div.
 51362 Quadrate Drive
 Macomb Township, MI 48042
 Tel: 586.677-3416
 Fax: 586.677-6344

Illinois Plant - UFP Technologies

1235 National Avenue
 Addison, IL 60101
 Tel: 630.543.2855
 Fax: 630.543.9820

California Plant - UFP Technologies

UFP Beauty - Pacific Foam
 130 S. Ventura Avenue
 Ventura, CA 93001
 Tel: 805.641.9321
 Fax: 805.641.9403
 WEB SITE: UFPBeauty.com

Iowa Plant - UFP Technologies

UFP - Molded Fiber
 1521 Windsor Drive
 Clinton, IA 52732
 Tel: 563.242.2444
 Fax: 563.242.0444

ENGINEERED PACKAGING

- PERFORMANCE FOAMS
- PLASTICS THERMOFORMING
- MOLDED FIBER
- MATERIALS HANDLING
- CASE INSERTS
- TOOL CONTROL
- MEDICAL PACKAGING

COMPONENT PRODUCTS

- PRECISION MOLDED FOAMS
- LAMINATING & CONVERTING
- ATHLETIC & LEISURE COMPONENTS
- MEDICAL COMPONENTS
- AUTOMOTIVE COMPONENTS
- BEAUTY PRODUCTS

