

air prep

UDR Series

High Temperature Refrigerated Dryers



numatics®

UDR Series

..... 3-4

Features and Benefits 3

Dimensions 4



UDR Series Dryers

The UDR Series High Temperature Refrigerated Air Dryer provides clean, dry, compressed air for auto body repair shops, auto service centers, dental offices, and small manufacturers without the need for an aftercooler or separator. The hot contaminated air first passes through a standard coalescing filter capturing harmful dirt, water and compressor oils. The air then enters the dryer where it is cooled by R134a or R22 refrigerant (R134a and R22 are environmentally acceptable and contains no ozone depleting CFC's). As the air is cooled, the remaining water vapor is condensed into a liquid form. The liquid is then separated from the air stream and drained away providing ideal air necessary for downstream components.

Features

- All copper constructed tube in tube heat exchanger.
- 2 year warranty, 5 year heat exchanger warranty.
- Electronic automatic condensation drain with a push to test button on the prefilter and separator.
- 0.3 micron inlet coalescer oil removing filter.
- Ambient air filter (standard).
- R134a refrigerant for single phase units and R22 refrigerant for 3 phase units. (Environmentally acceptable - no CFC's)
- Refrigerant suction gauge.
- No aftercooler or separator required.

Specifications/How to Order

Model	SCFM @ 39°F	Air Comp H.P.	Ref Comp H.P.	Available Voltages				Dimensions			Inlet/Outlet Inches	Shipping Weight	Max W.P.
				A	B	C	D	L	W	H			
UDR-20	20	5.0	1/4	•				24.0	21.1	19.0	1/2	55 lbs.	230
UDR-30	30	7.5	1/4	•				24.0	21.1	19.0	1/2	60 lbs.	230
UDR-40	40	10.0	1/3	•				32.4	18.2	20.3	1/2 - 3/4	95 lbs.	230
UDR-60	60	15.0	1/2	•				32.4	18.2	20.3	3/4	115 lbs.	230
UDR-80	80	20.0	1/2	•	•	•	•	43.7	25.0	42.1	1 - 1 1/2	210 lbs.	230
UDR-100	100	25.0	3/4	•	•	•	•	43.7	25.0	42.1	1 - 1 1/2	270 lbs.	230
UDR-120	120	30.0	3/4	•	•	•	•	43.7	25.0	42.1	1 - 1 1/2	380 lbs.	230
UDR-150	150	35.0	1	•	•	•	•	43.7	25.0	42.1	1 - 1 1/2	475 lbs.	230

The refrigerant compressor horsepower data shown above is based upon single phase units. 3 phase units are all 1 ½ horsepower.

Electrical Options:

- A = 115/1/60
- B = 208-230/1/60 to 220-240/1/50
- C = 208-230/3/60 to 220-240/3/50
- D = 460/3/60

Deluxe Options:

- G = Refrigerant discharge gauge (20 - 60 models only)
- H = High temperature warning light (available in all models)
- K = Air in/out pressure gauges
- L = High Low Refrigeration Pressure Cut Out Switch (Std. on 3 phase units an option on all others)
- N = NEMA-4 Electrical
- U = Leg Kit (20 - 60 single phase models only)
- V = Wall Mount Brackets (20 - 30 models only)

Example Model #:

UDR-80-AHK

Description:

80 SCFM Dryer with 115/1/60 voltage
High Temperature Warning Light, and Air In/Out Pressure Gauges

Filter/Element Replacements

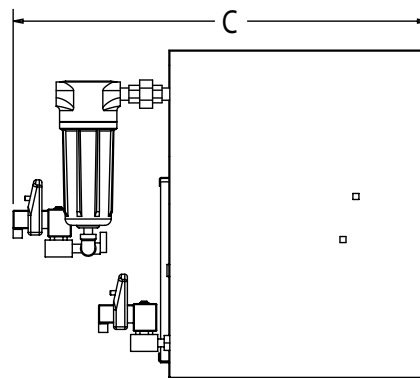
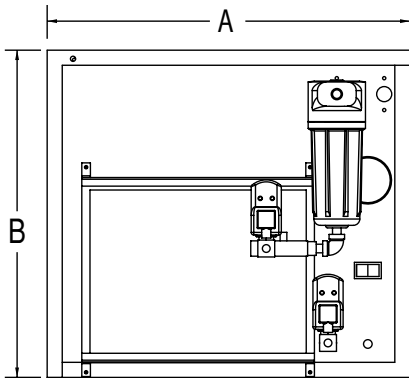
Model	Filter Model	Element Model
UDR-20	F900D-04	EKF9004D
UDR-30	F900D-04	EKF9004D
UDR-40	F900D-04	EKF9004D
UDR-60	F900D-06	EKF9008D
UDR-80	F900D-08	EKF9008D
UDR-100	F900D-08	EKF9008D
UDR-120	F900D-08X	EKF9008XD
UDR-150	F900D-08X	EKF9008XD



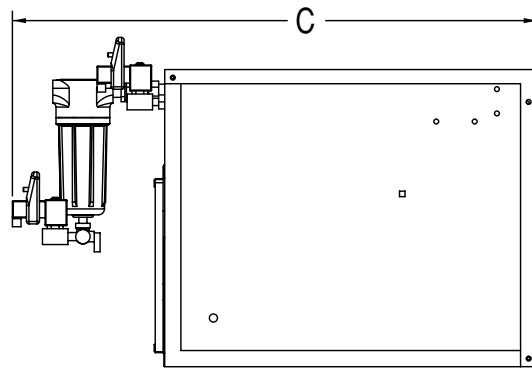
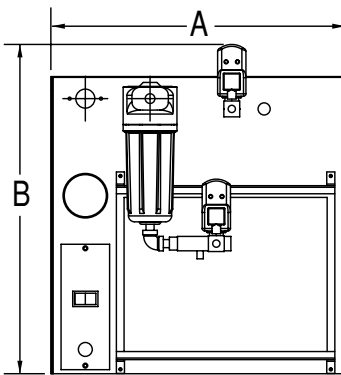
UDR Series

Drawings

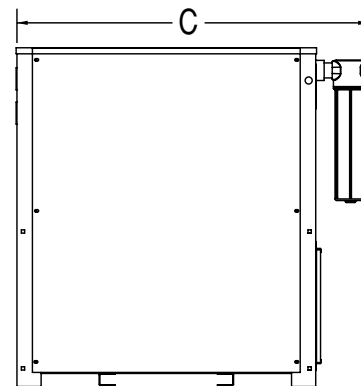
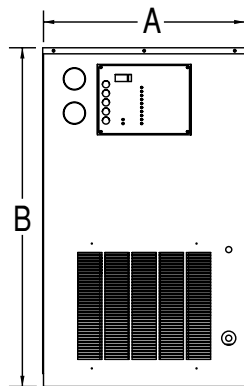
UDR 20 - 30



UDR 40 - 60



UDR 80 - 150



Dimensions (millimeters in parenthesis)

Model	A	B	C
UDR-20	21.1 (536)	19.0 (483)	24.0 (610)
UDR-30	21.1 (536)	19.0 (483)	24.0 (610)
UDR-40	18.2 (462)	20.3 (516)	32.4 (823)
UDR-60	18.2 (462)	20.3 (516)	32.4 (823)
UDR-80	25.0 (635)	42.1 (1069)	43.7 (1110)
UDR-100	25.0 (635)	42.1 (1069)	43.7 (1110)
UDR-120	25.0 (635)	42.1 (1069)	43.7 (1110)
UDR-150	25.0 (635)	42.1 (1069)	43.7 (1110)

NUMATICS®

World Class Supplier
of Pneumatic Components



World Headquarters

Numatics Incorporated
Phone: 248-887-4111
Fax: 248-887-9190

UNITED STATES

Numatics – Air Preparation
Phone: 810-667-3900
Fax: 810-667-3902

Numatics – Valves

Phone: 248-887-4111
Fax: 248-887-9190

Numatics – Miniature Valves

Phone: 248-960-1400
Fax: 248-960-2160

Numatics – Cylinders

Phone: 615-771-1200
Fax: 615-771-1201

Numatics – Rodless Cylinders

Phone: 519-452-1777
Fax: 519-452-3995

Numatics – Automation

Phone: 440-934-3200
Fax: 440-934-2288

CANADA

Ontario
Numatics, Ltd.
Phone: 519-452-1777
Fax: 519-452-3995

Quebec

Numatics, Ltd.
Phone: 514-332-6444
Fax: 514-332-9273

British Columbia

Numatics, Ltd.
Phone: 604-574-0401
Fax: 604-574-3713

EUROPE

Germany – European Headquarters

Numatics GmbH
Phone: 011-49-22 41-31 60-0
Fax: 011-49-22 41-31 60 40

Hungary

Numatics Kft.
Phone: 011-36-13 82 21 35
Fax: 011-36-12 04 39 47

EUROPE

England

Numatics Limited
Phone: 011-44-1525-37 07 35
Fax: 011-44-1525-38 25 67

France

Numatics s.a.r.l.
Phone: 011-33-1 41 21 48 88
Fax: 011-33-1 41 21 48 89

Italy

Numatics srl
Phone: 011-39-030-373 19 99
Fax: 011-39-030-373 19 81

Netherlands

Numatics B.V.
Phone: 011-31-418-65 29 50
Fax: 011-31-418-65 29 43

Spain

Numatics Spain S.L.
Phone: 011-34-93-221 21 96
Fax: 011-34-93-221 35 14

AFRICA

South Africa

Numatics SA (Pty) Ltd.
Phone: 011-27-11-8 65 44 52
Fax: 011-27-11-8 65 42 90

LATIN & SOUTH AMERICA

Mexico

Numatics de Mexico S.A. de C.V.
Phone: 011-52-222-284 6176
Fax: 011-52-222-284 6179

Brazil

Valvair Comercial Ltda.
Phone: 011-55-12-351 2874
Fax: 011-55-12-351 1958

ASIA & PACIFIC

Australia

Numatics Australia Pty. Ltd.
Phone: 011-61-3-95 63 86 00
Fax: 011-61-3-95 63 85 11

Taiwan – Asian Headquarters

Numatics Co, Ltd. Asia
Phone: 011-886-2-29 15 16 05
Fax: 011-886-2-29 14 18 97

For a comprehensive listing of all Numatics production and distribution facilities worldwide, visit www.numatics.com